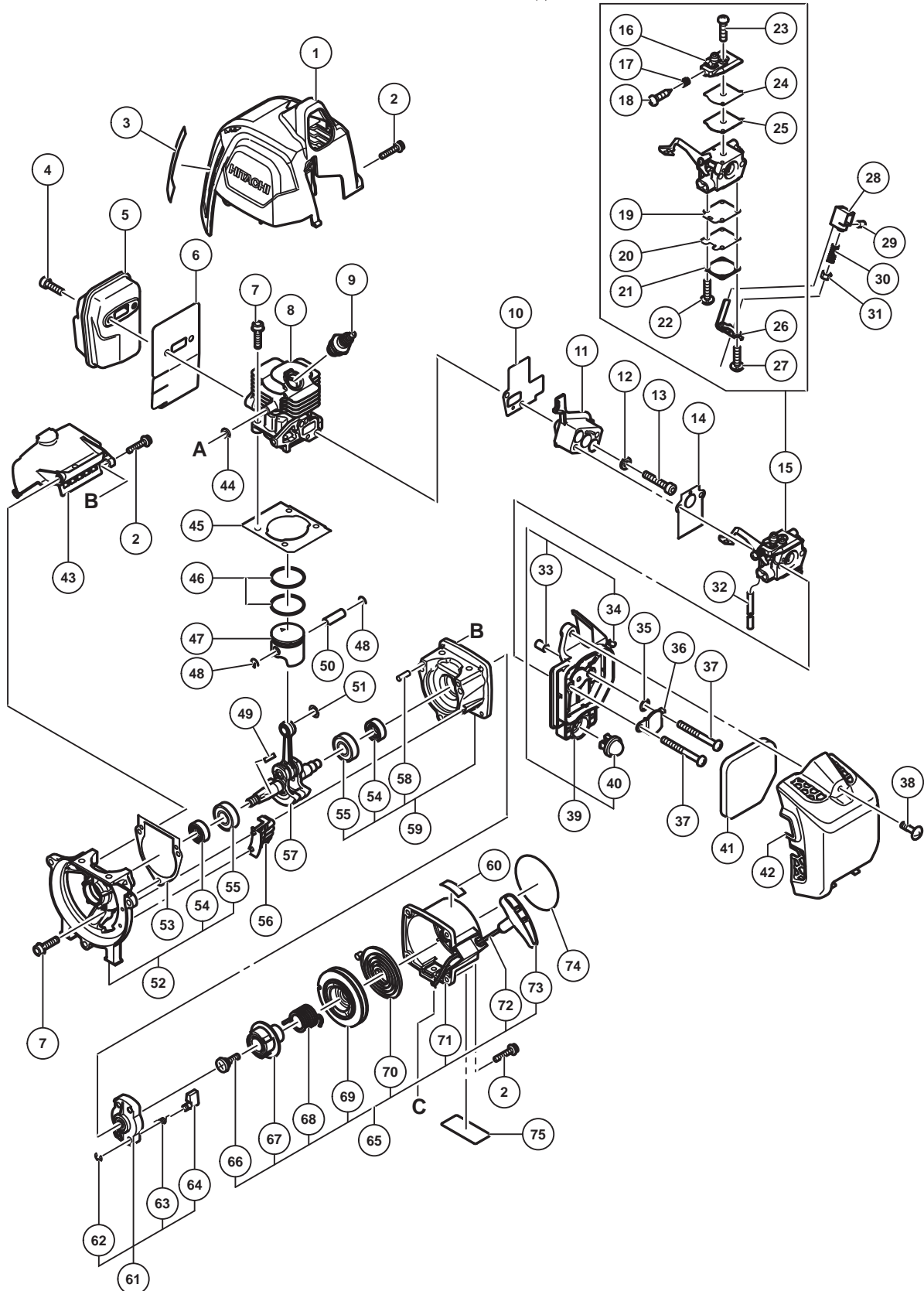
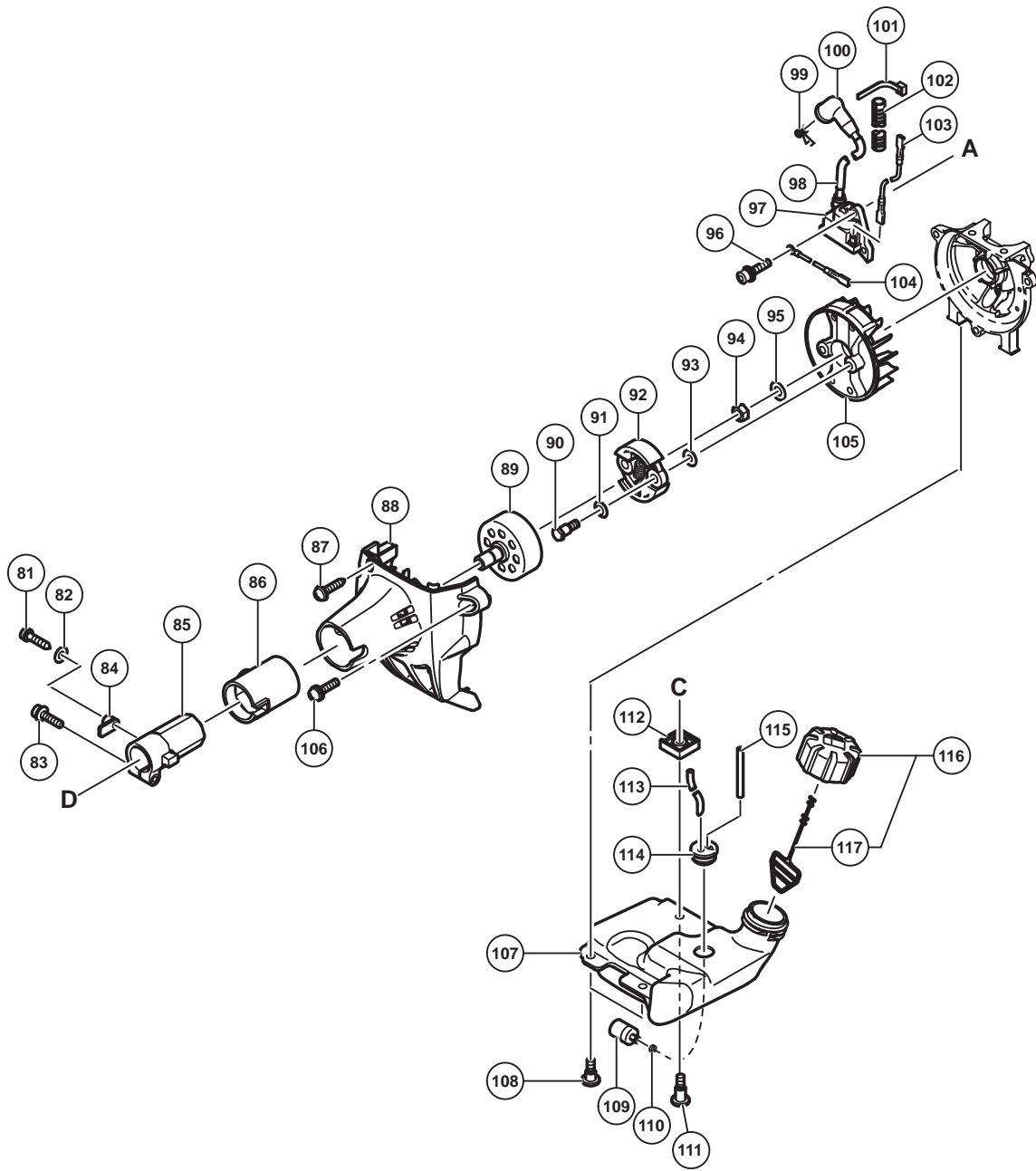
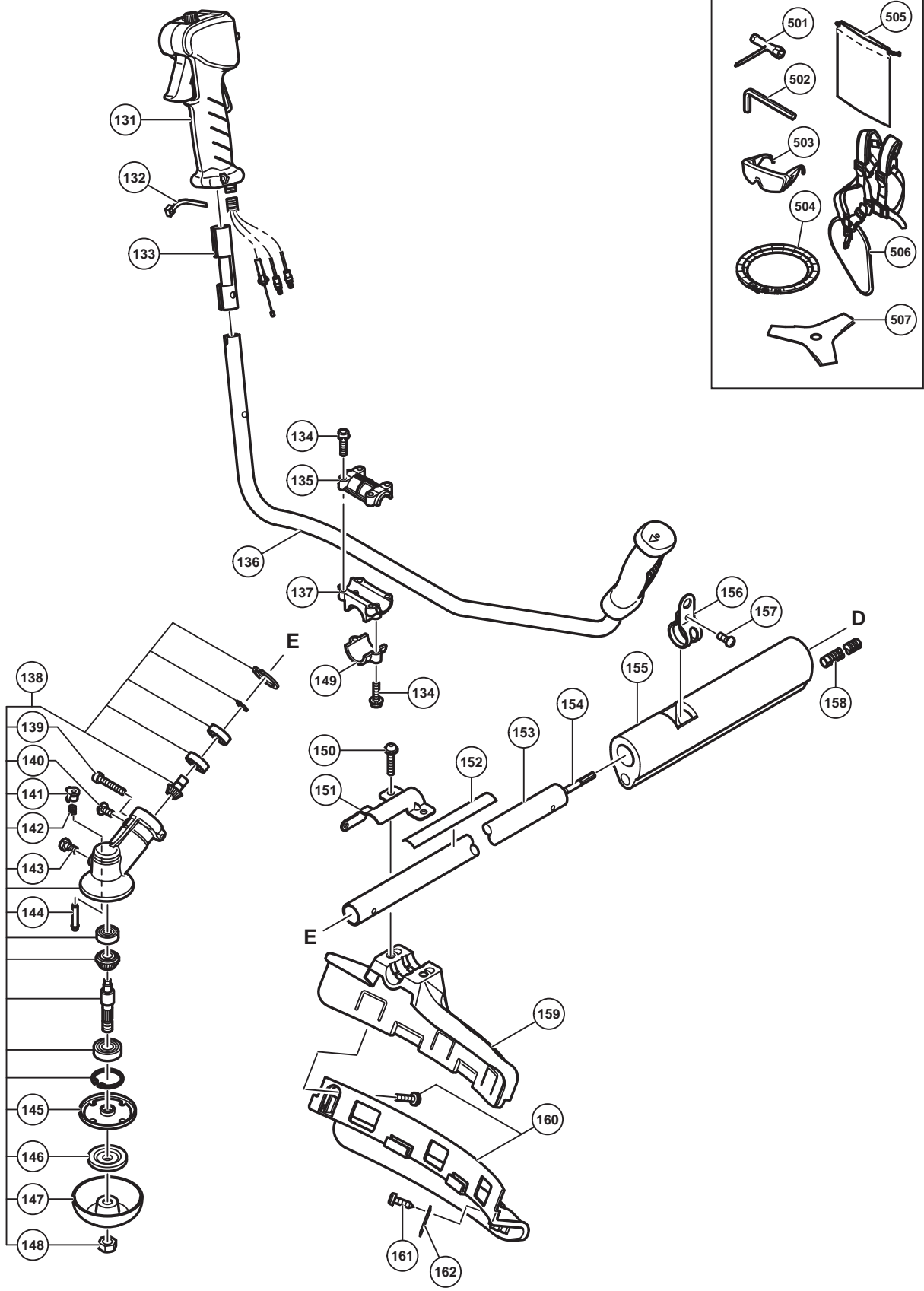


## ENGINE TOOL PARTS LIST

GRASS TRIMMER / BRUSH CUTTER 2016-4-29  
Model CG 27ECMP (E1)







**PARTS**

CG 27ECMP

ITEM NO.	CODE NO.	DESCRIPTION	NO. USED	REMARKS
1	6600546	CYLINDER COVER	1	
2	6600918	SEAL LOCK HEX. SOCKET HD. BOLT M4	5	
3		IDENTIFICATION LABEL	1	
4	6600518	SEAL LOCK HEX. SOCKET HD. BOLT M6 X 16	2	
5	6600908	MUFFLER	1	
6	6600517	HEAT PROTECTION PANEL	1	
7	6601339	HEX. SOCKET HD. BOLT (W/SP.WASHER) M5 X 22	7	
8	6600903	CYLINDER N27	1	
9	6600542	IGNITION PLUG (TORCH L7RTC)	1	
10	6600524	INTAKE PACKING	1	
11	6600533	CARBURETOR INSULATOR (ECM)	1	
12	6600910	SPRING WASHER D6	2	
13	6601358	SEAL LOCK HEX. SOCKET HD. BOLT M6 X 27	2	
14	6600534	CARBURETOR PACKING (ECM)	1	
15	6600536	CARBURETOR ASS'Y WT-1148	1	INCLUD.16-27
16		COVER PUMP	1	
17	6690766	IDLE ADJUST SPRING	1	
18		SCREW IDEL ADJUSTMENT	1	
19	6685220	DIAPHRAGM PACKING-METERING	1	
20	6684690	METERING DIAPHRAGM	1	
21	6685222	DIAPHRAGM COVER-METERING	1	
22	6685223	SET SCREW	2	
23	6685210	SCREW	1	
24	6685212	PUMP GASKET	1	
25	6685213	PUMP DIAPHRAGM	1	
26	6601352	BRACKET	1	
27	6601351	SCREW M3	2	
28	6600537	STOPPER SLIDER	1	
29	6600915	SET SCREW M3	1	
30	6600914	RETURN SPRING	1	
31	949567	LOCK NUT M6 (10 PCS.)	1	
32	6601329	FUEL PIPE (PINK)	1	
33	6601340	COLLAR M5	1	
34	6601342	CHOKE VALVE	1	
35	334242	WAVE WASHER 8	1	
36	6600913	SPIT BACK SHIELD	1	
37	6694914	SCREW M5 X 55	2	
38	6600532	SPECIAL SCREW M5	1	
39	6600912	AIR CLEANER BASE ASS'Y	1	INCLUD.33,34,40
40	6685139	PRIMING PUMP COMP.	1	
41	6600529	AIR CLEANER ELEMENT	1	
42	6600531	AIR CLEANER COVER	1	
43	6600541	MUFFLER TANK PARTITION	1	
44	6698700	GLASS WASHER	2	
45	6600510	CYLINDER PACKING	1	
46	6601353	PISTON RING	2	
47	6600905	PISTON (M)	1	
48	6684590	CIR CLIP	2	
49	6601343	WOODRUFF KEY 3 X 13 X 4.5	1	
50	6601344	PISTON PIN	1	

**PARTS**

CG 27ECMP

ITEM NO.	CODE NO.	DESCRIPTION	NO. USED	REMARKS
51	6600909	SHIM	1	
52	6600907	CRANK CASE (F) ASS'Y	1	INCLUD.54,55
53	6600514	CRANK CASE PACKING	1	
54	6684607	OIL SEAL TB 12227	2	
55	6684608	BALL BEARING 6001 C3	2	
56	6600924	CRANK CASE GUARD	1	
57	6600511	CRANK SHAFT	1	
58	6696947	KNOCK PIN 4 X 12	2	
59	6600906	CRANK CASE (R) ASS'Y	1	INCLUD.54,55,58
60	6698921	TANK MARK LABEL (50:1)	1	
61	6684681	STARTER PULLEY ASS'Y	1	INCLUD.62-64
62	6685101	D4E RETAINING RING	2	
63	6684684	STARTER PAWL SPRING	2	
64	6684685	STARTER PAWL	2	
65	6699995	RECOIL STARTER BODY ASS'Y	1	INCLUD.66-73
66	6684679	SET SCREW	1	
67	6699996	CAM PLATE	1	
68	6684677	DAMPER SPRING	1	
69	6699997	STARTER ROPE REEL	1	
70	6684675	RECOIL SPRING	1	
71	6684673	RECOIL STARTER BODY COMP.	1	
72	6684674	STARTER ROPE 3.5 X 860	1	
73	6684680	STARTER HANDLE	1	
74		NAME PLATE	1	
75		CAUTION LABEL (EU)	1	
81	6600919	HEX. SOCKET HD. BOLT (W/SP.WASHER) M5	1	
82	6685407	BOLT WASHER D5	1	
83	6600372	HEX. SOCKET HD. BOLT (W/WASHERS) M5	1	
84	6689664	METAL FITTING	1	
85	6600551	PIPE HOLDER	1	
86	6600552	DAMPER (HOLDER)	1	
87	6698878	TAPPING SCREW D4.5 X 16	1	
88	6600548	FAN CASE	1	
89	6600549	CLUTCH SHAFT	1	
90	6696469	STEP BOLT	2	
91	6684648	BENT WASHER 8	2	
92	6696948	CLUTCH	1	
93	6696547	CLUTCH WASHER (B)	2	
94	6685337	FLYWHEEL NUT	1	
95	323212	BOLT WASHER M8 (BLACK)	1	
96	6698388	HEX. SOCKET HD. BOLT (W/WASHERS) M4 X 18	2	
97	6600515	IGNITION COIL	1	
98	6600051	CORD INSULATION TUBE L100	1	
99	6699186	PLUG CAP METAL	1	
100	6699932	PLUG CAP	1	
101	6698943	BAND	1	
102	6601345	PROTECTION TUBE L50	1	
103	6698495	CORD	1	
104	6696545	EARTH CORD	1	
105	6699289	MAGNETO ROTOR	1	

**PARTS**

CG 27ECMP

ITEM NO.	CODE NO.	DESCRIPTION	NO. USED	REMARKS
106	6600920	MACHINE SCREW (W/WASHERS) M5 X 18	3	
107	6600519	TANK	1	
108	6696574	BOLT (W/FLANGE) L17.8	2	
109	6600351	PUMP FILTER	1	
110	6696949	CLIP	1	
111	6698512	BOLT (W/FLANGE) L23.8	1	
112	6699558	SPACER	1	
113	6696476	FUEL PIPE (PINK)	1	
114	6600358	FUEL GROMMET	1	
115	6600523	FUEL PIPE L180	1	
116	6698402	FUEL TANK CAP ASS'Y	1	INCLUD.117
117	6698732	TANK CAP CHAIN	1	
131	6600917	THROTTLE LEVER (D)	1	
132	6698943	BAND	1	
133	6600503	HANDLE COLLAR	1	
134	6684709	HEX. HOLE BOLT M5 X 25/S	6	
135	6600561	HANDLE HOLDER (A)	1	
136	6600896	U-HANDLE	1	
137	6600562	HANDLE HOLDER (B)	1	
138	6699439	GEAR CASE ASS'Y (4BB)	1	INCLUD.139-148
139	949664	HEX. SOCKET HD. BOLT M5 X 30 (10 PCS.)	1	
140	6695414	SCREW 5 X 12/W.S	1	
141	6600005	CAP	1	
142	6600006	SPRING	1	
143	6684737	BOLT (W/PLUS) M6 X 8	1	
144	6600007	LOCK PIN	1	
145	6699441	CUTTER HOLDER (A)	1	
146	6698659	CUTTER HOLDER (B)	1	
147	6699188	NUT COVER	1	
148	335759	U-NUT (LEFT HAND) M10	1	
149	6600563	HANDLE HOLDER (C)	1	
150	6684714	HEX. HOLE BUTTON SCREW M6 X 25S	2	
151	6699443	COVER BRACKET	1	
152	6600450	CAUTION MARK	1	
153	6600556	MAIN PIPE (T1.1)	1	
154	6600560	DRIVE SHAFT (DAMPER)	1	
155	6600540	WAIST PROTECTOR	1	
156	6600504	HANGER	1	
157	949236	MACHINE SCREW M5 X 10 (10 PCS.)	1	
158	6601346	PROTECTION TUBE L230	1	
159	6600528	GUARD ASS'Y (EU)	1	
160	6601356	COVER GUARD (EU) ASS'Y	1	
161	6684751	TAPPING SCREW 4 X 14	1	
162	6684750	KNIFE	1	

